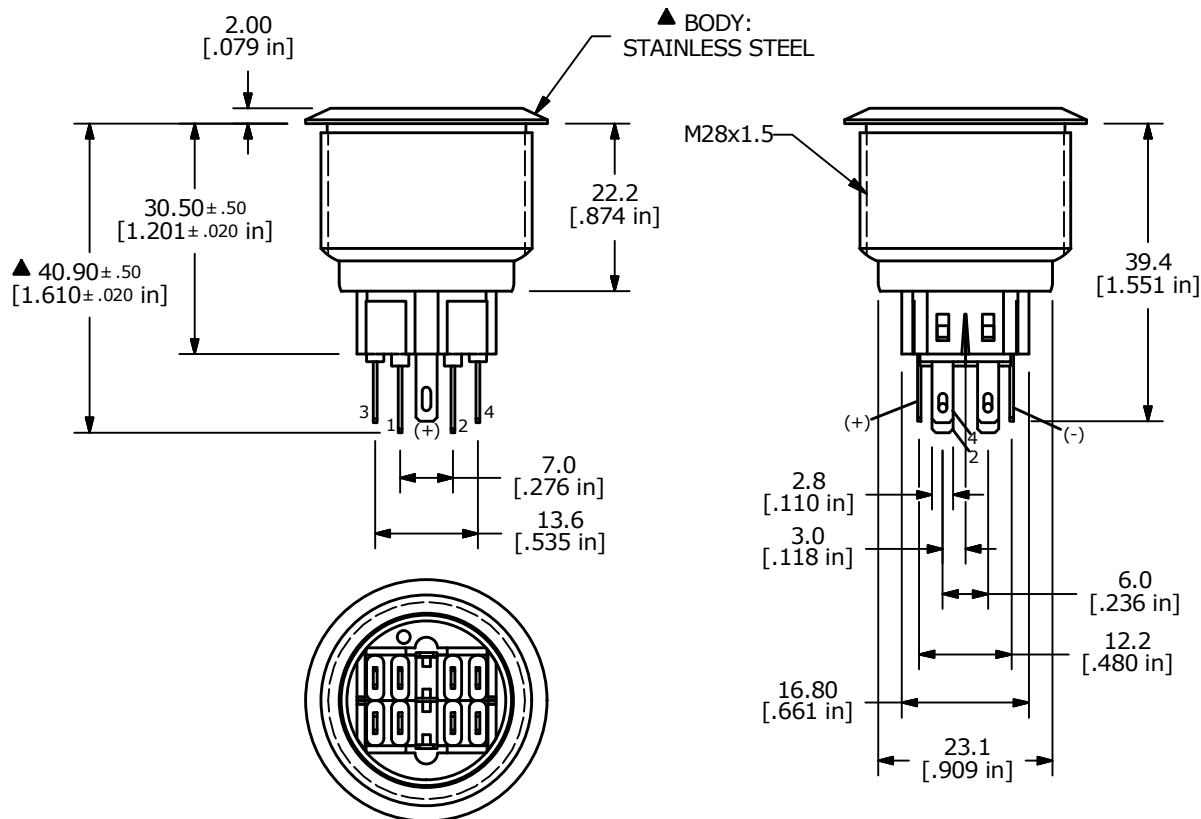
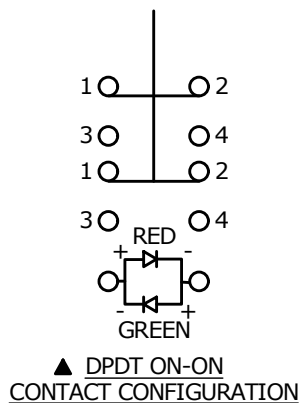


▲ SWITCH FUNCTION

POS. 1	POS. 2
1-2	3-4



- NOTE:
1. ALL DIMENSIONS IN MM [INCH]
 2. GENERAL TOLERANCE: X.X = ± 0.4
X.XX = ± 0.25
 3. TERMINAL NOS. FOR REF. ONLY
 - ▲ 4. FUNCTION: DPDT
 - ▲ 5. RATING: 2A @ 48VDC
 - ▲ 6. ILLUMINATION VOLTAGE: 48V
 7. CONTACT RESISTANCE: 50mΩ MAX. @ 1A 12VDC
 8. INSULATION RESISTANCE: 1,000MΩ @ 500VDC
 9. DIELECTRIC STRENGTH: 2,000VAC MIN. FOR 1 MINUTE
 10. ELECTRICAL LIFE: 50,000 CYCLES
 11. OPERATING TEMPERATURE: -20°C TO 55°C
 12. INGRESS PROTECTION: IP66
 13. SUPPLIED HARDWARE: O-RING AND HEXNUT
 14. ▲ DENOTES CRITICAL PARAMETER
 - ▲ 15. ILLUMINATION COLOR: RED (FORWARD), GREEN (REVERSE)



B	23837	UPDATED RATING TO IP66	4/8/19	MJR
A	21838	RELEASE FOR PRODUCTION	4/21/15	MW
REV	PCR NO	DESCRIPTION	DATE	BY

TITLE PV9F2U0SS-3G8				
SCALE	DATE	DR	DWG	REV
1:1	4/8/2019	MW	52-PV9F2U0SS3G8	B

THE INFORMATION CONTAINED IN THIS DOCUMENT IS PROPRIETARY TO E-SWITCH AND IS NOT TO BE COPIED OR TRANSFERRED